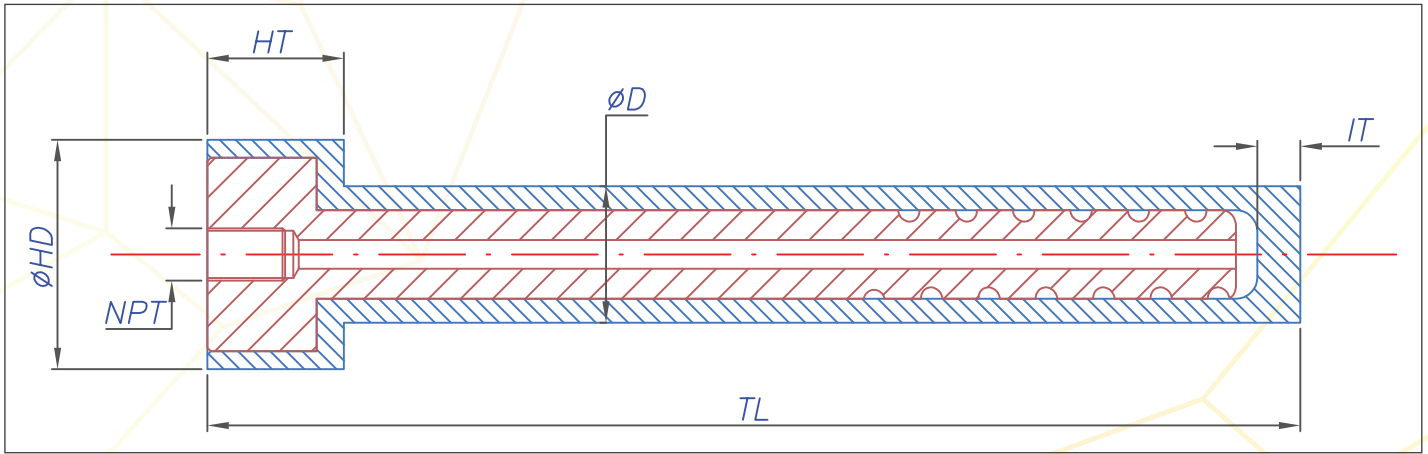
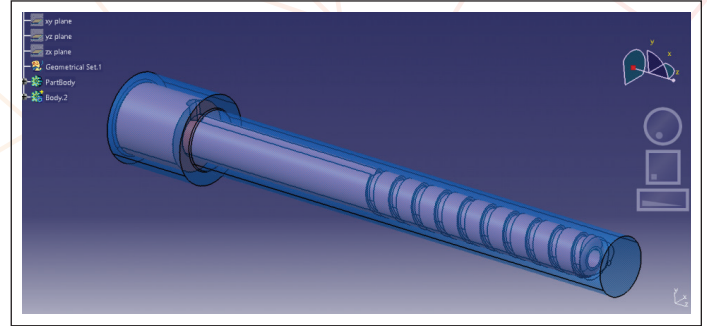
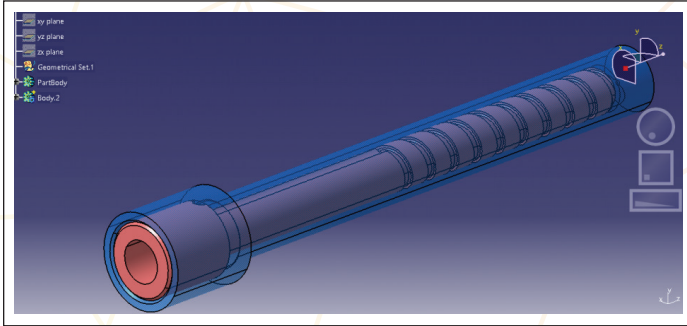


# H-13 Components

## CYCLONE CORES

www.h13components.com



**Cyclone Core™ blanks** are H-13 core pin blanks with internal spiral water line geometry. These can be ordered for finishing by your in-house tool shop, or send us your model if you would like to order with detail completed.

	BODY DIAMETER	TOTAL LENGTH	HEAD DIAMETER	HEAD THICKNESS	DIST OF INTERNAL WATERLINE TO TIP	WALL THICKNESS	WATER CONNECTOR SIZE & QTY	HEAD SIDE IMAGE
PART NUMBER	D	TL	HD	HT	IT	WT	WATER NPT	
CC - 500	Ø12.7	152.4	Ø19.05	19.05	3	1.85	1/8" NPT X 1	
CC - 750	Ø12.7	152.4	Ø32	19.05	6	3.34	1/16" NPT X 2	



OEE Companies